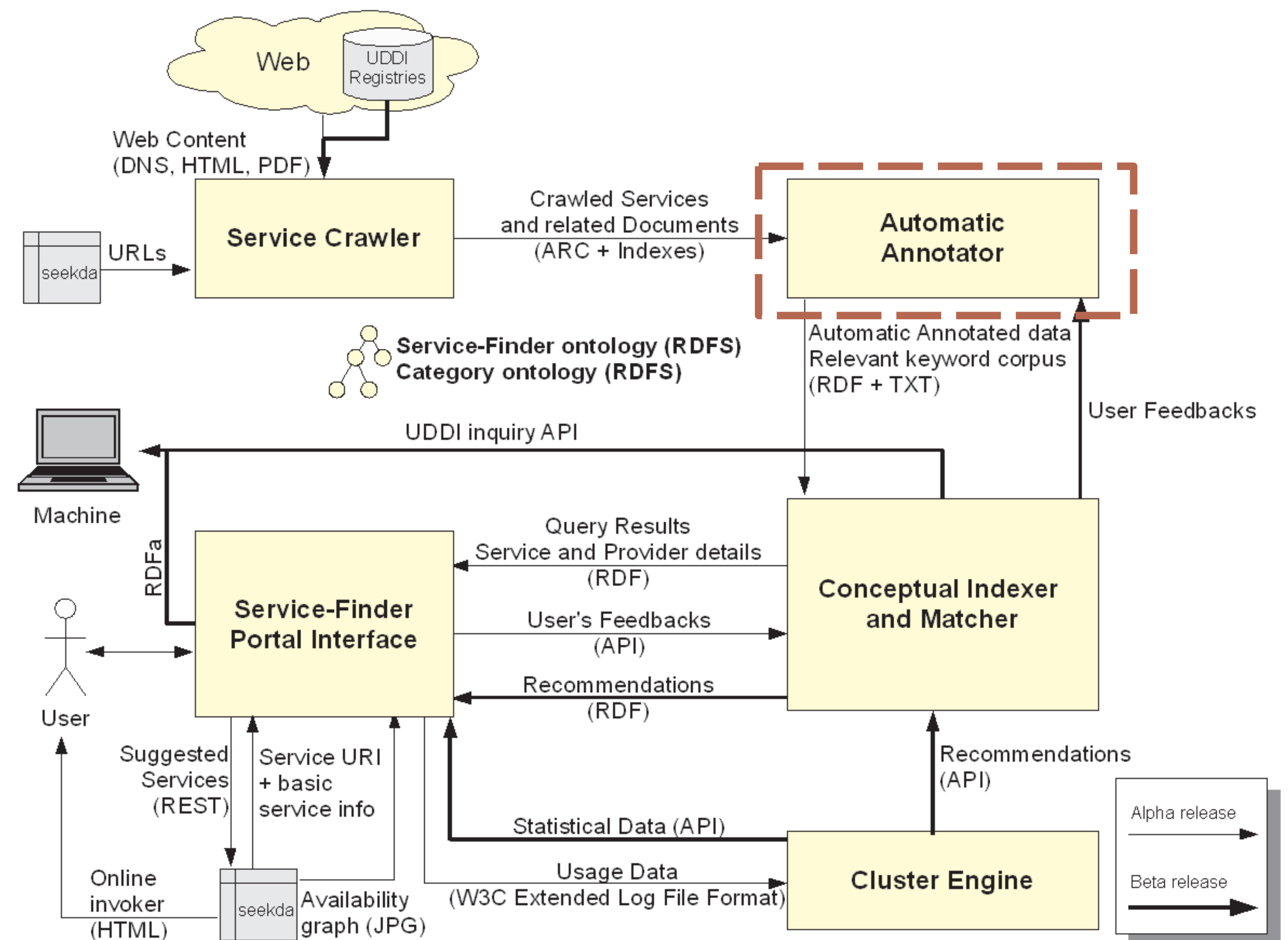
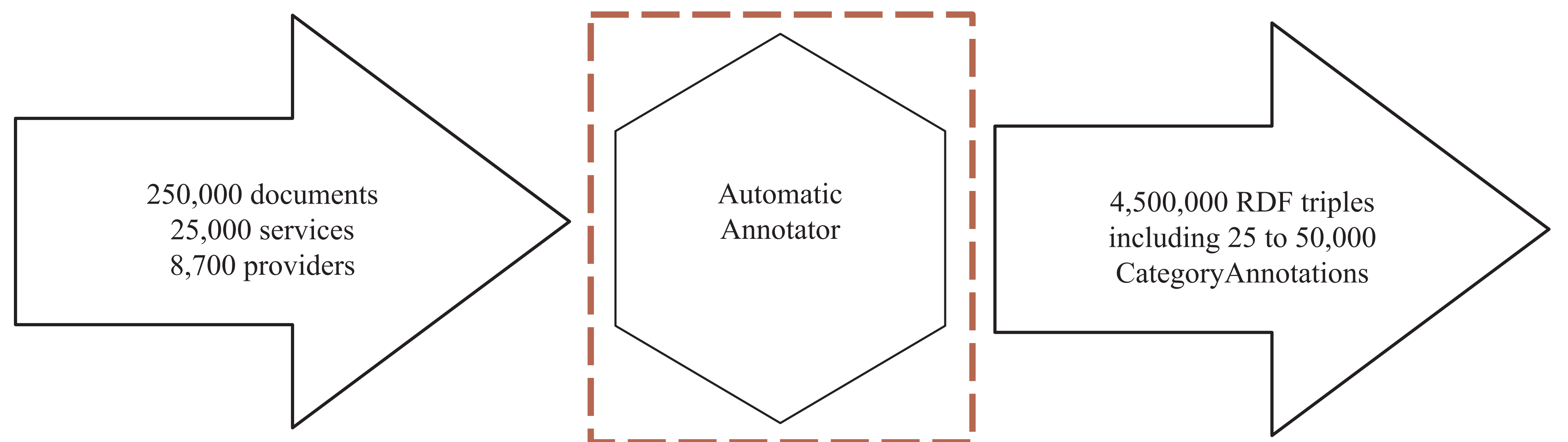
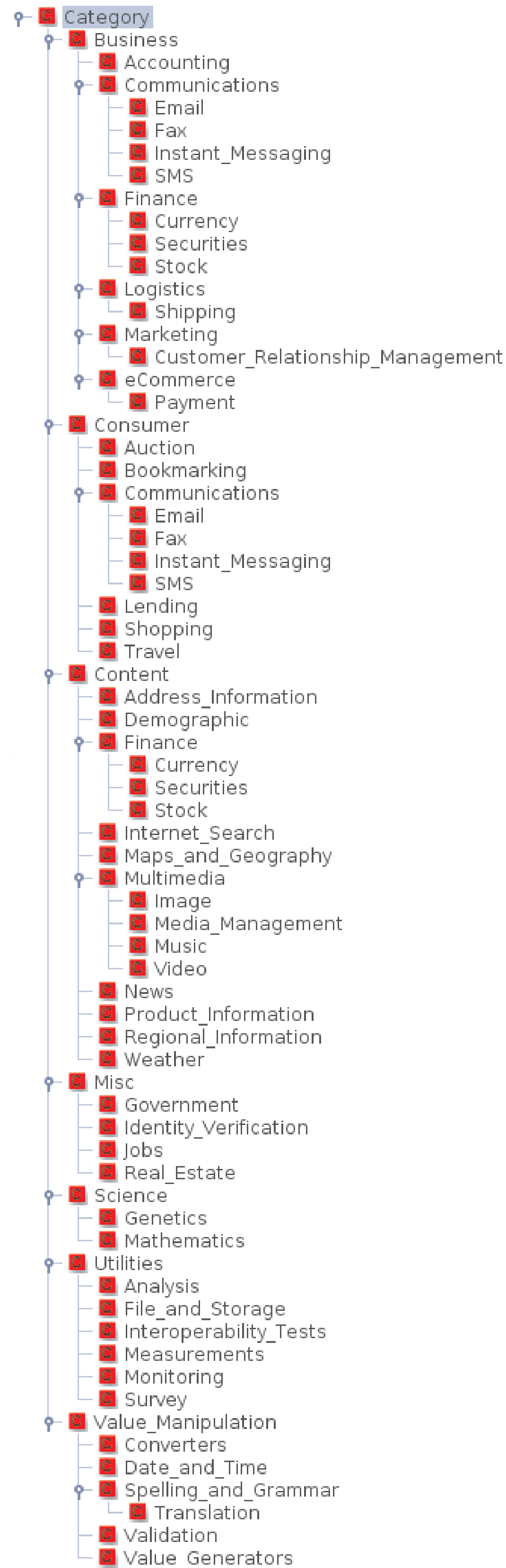


Ontology-Based Classification of Web Services with Machine Learning

Adam Funk & Kalina Bontcheva
 Department of Computer Science
 University of Sheffield



Categoryization task:
 59 subclasses of Category
 in a shallow tree with some
 multiple inheritance



	traditional P %	traditional R %	traditional F1 %	BDM P %	BDM R %	BDM F1 %
keywords & rules	20	32	24	38	40	39
ML	54	50	52	75	52	61
trials	35	53	42	50	56	53
	58	53	55	79	55	65
	50	53	52	69	56	62
final	49	46	48	70	48	57
combined	32	56	41	47	59	52

